

# C600S Power Package

## Liquid Fuels

The Signature Series Microturbine provides 600kW of reliable electrical power in one small, ultra-low emission, and highly efficient package.



C600S Power Package

## Benefits

- Ultra-low emissions
- One moving part – minimal maintenance and downtime
- Patented air bearings – no lubricating oil or coolant
- Integrated utility synchronization – no external switchgear
- Compact modular design allows for easy, low-cost installation
- High electrical efficiency over a very wide operating range
- High availability – part load redundancy
- Remote monitoring and diagnostic capabilities
- Proven technology with tens of millions of operating hours
- Various Factory Protection Plans available

### Electrical Performance<sup>(1)</sup>

Electrical Power Output	570kW
Voltage	400/480 VAC
Electrical Service	3-Phase, 4 Wire Wye
Frequency	50/60 Hz
Electrical Efficiency LHV	31%

### Fuel/Engine Characteristics<sup>(1)</sup>

Liquid Fuels	Diesel (ASTM D975-13, No. 2-D, S15)
Inlet Pressure	3.4–34.5 kPa gauge (0.5–5.0 psig)
Fuel Flow HHV	7,290 MJ/hr (6,900,000 BTU/hr)
Net Heat Rate LHV	11.6 MJ/kWh (11,000 BTU/kWh)

### Exhaust Characteristics<sup>(1)</sup>

Exhaust Mass Flow	4.0 kg/s (8.8 lbm/s)
Exhaust Gas Temperature	280°C (535°F)

**Smarter Energy  
for a Cleaner Future**

## Dimensions & Weight<sup>(2)</sup>

Width x Depth x Height	3.0 x 5.8 x 3.0 m (117 x 230 x 119 in)
Weight - Grid Connect Model	12,050 kg (26,600 lbs)
Weight - Dual Mode Model	14,200 kg (31,300 lbs)

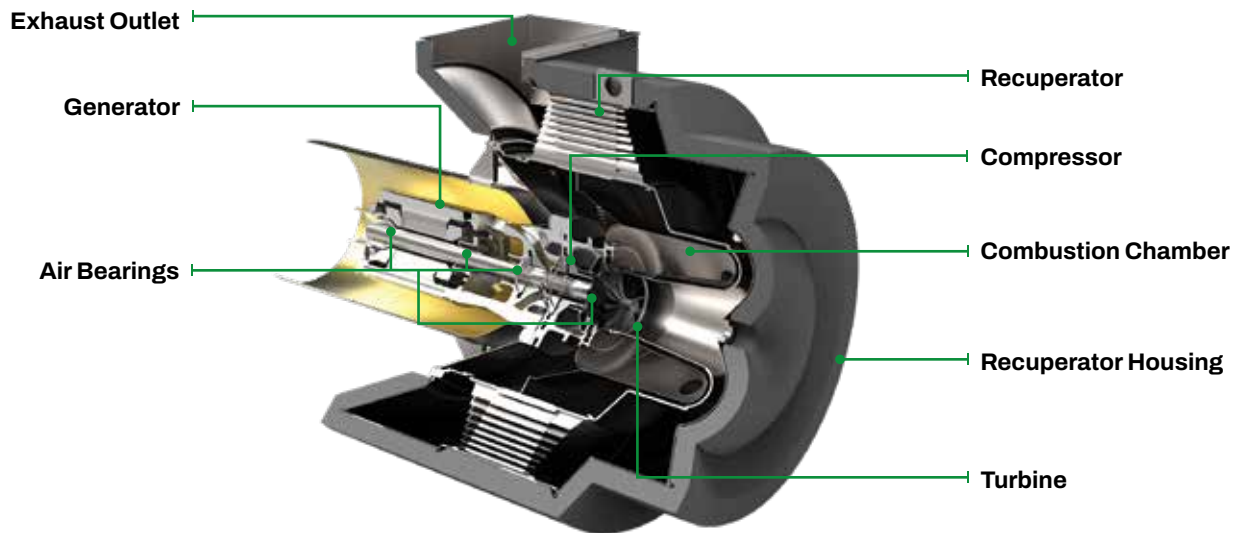
## Certifications

- Certified to the following grid interconnections standards: UL 1741

## Minimum Clearance Requirements<sup>(3)</sup>

Horizontal Clearance	
Left	1.5 m (60 in)
Right	0.0 m (0 in)
Front	1.7 m (65 in)
Rear	2.2 m (85 in)

## C200 Engine Components



(1) Nominal full power performance at ISO conditions: 15°C (59°F), 14.696 psia, 60% RH

(2) Approximate dimensions and weights

(3) Clearance requirements may increase due to local code considerations

Specifications are not warranted and are subject to change without notice.